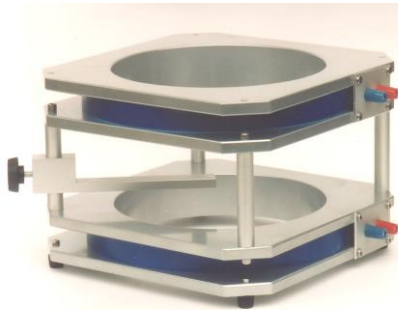
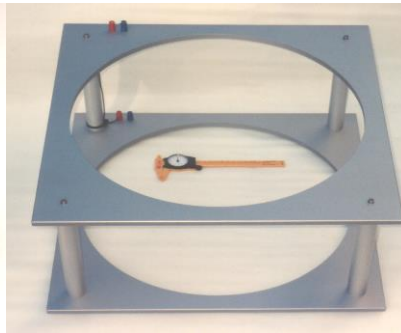


Moment Measuring Coils Method Helmholtz

to generate homogeneous magnetic DC and AC fields,
to measure the magnetic moment
and the magnetic polarization of permanent magnets
diameters from 10...1000 mm



MS150

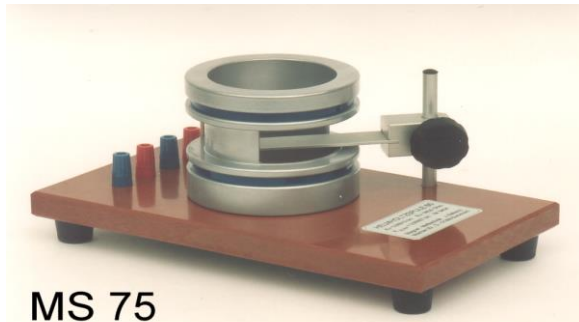


MS 440



MS 1000

for research, development, production and quality grading



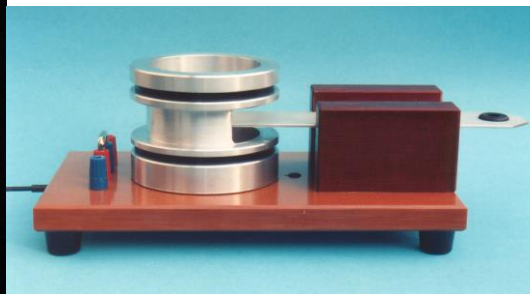
MS 75



MS XYZ

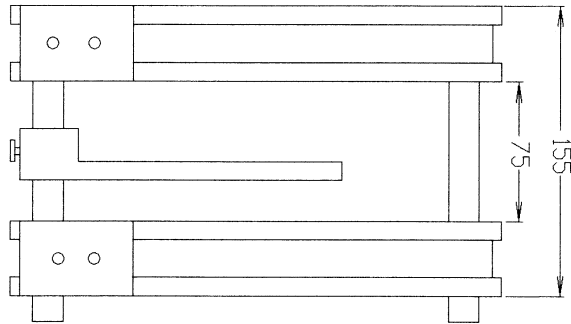


XYZ-Modell

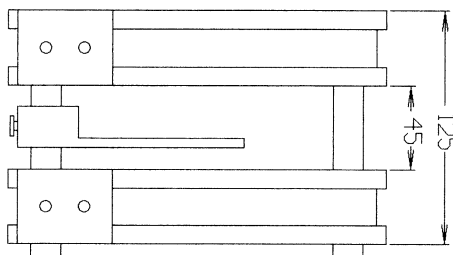
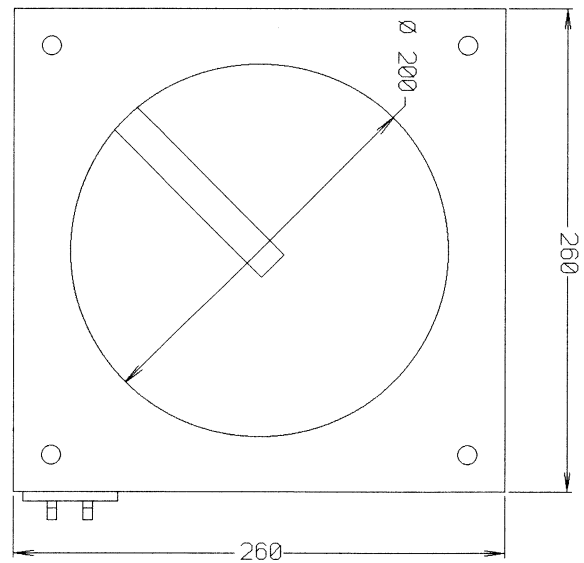


Technical Data:

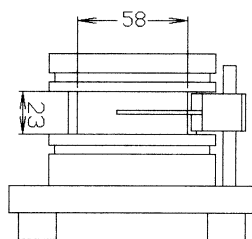
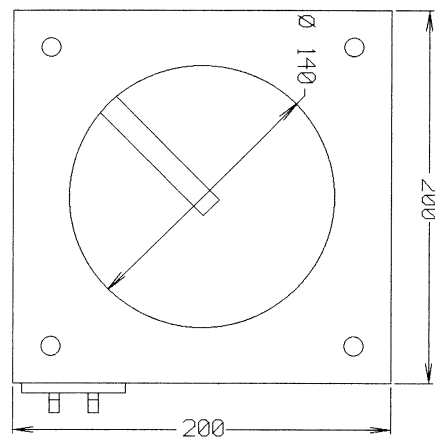
Type of Coil	Diameter	Constant (cm)	R-Coil (Ohm)	1% -Space	Weight
MS 20	18 mm	0,00022 cm	6300	10 x 10 mm	0,8 kg
MS 75	65 mm	0,0100 cm	160	33 x 21 mm	1,1 kg
MS 150	140 mm	0,0154 cm	35	74 x 48 mm	6,2 kg
MS 210	200 mm	0,0160 cm	80	102 x 66 mm	9 kg
MS 450	440 mm	0,50 cm	16,5	224 x 146 mm	12 kg
MS 1020	1000 mm	1,01 cm	4,6	510 x 330 mm	68 kg



Moment-Meßspule MS 210
(nach Helmholtz)



Moment-Meßspule MS 150
(nach Helmholtz)



Moment-Meßspule MS 75
(nach Helmholtz)

